


2/2-Way; 1/8" NPT - 1/4" NPT; 0-145 PSI



Advantages/Benefits

- ▶ Coil can be changed easily with valve in place
- ▶ Coil can be locked in 4x 90° positions or moved freely between, as required
- ▶ Medium is only in contact with the valve internals and body
- ▶ High-quality FPM (Viton) seal material standard
- ▶ Wide range of cable plug options for the Type 2508
- ▶  Approvals

Design/Function

The valves are based on a modular concept comprising three basic elements; Valve assembly, push-over coil and standard cable plug. The valve assembly consists of a body to which the armature guide tube containing the plunger, seals and springs is attached.

The coil is pushed over the guide tube and thus isolated from the medium. The medium is only in contact with the valve internals and body.

A wide selection of pipe and orifice sizes is offered in brass or stainless steel. All valves have high quality FPM (Viton) seals as standard.

To simplify ordering, a wide selection of standard combinations of valve body, push over coil and standard cable plug can be ordered with one item number.

Cable plug options of the Type 2508 are available to suit special electrical application requirements.

- The modular concept provides flexibility to meet applications requirements.
- The valves are interchangeable with the Type 211.

Applications

Fluids

Lubricated, non-lubricated compressed air, inert gases, water, hydraulic fluids, petroleum products and additional fluids compatible with the materials of construction

Applications

- Pneumatic control
- Shut-off, dosing, filling and ventilating
- Small-scale instruments, laboratory and measuring technology
- Welding technology

Burkert Contromatic USA
2602 McGaw Avenue
Irvine, CA 92614
Tel. 949.223.3100
Fax 949.223.3198
www.burkert-usa.com

Burkert Contromatic Inc.
760 Pacific Road, Unit 3
Oakville, Ontario, Canada
L6L 6M5
Tel. (905) 847-5566
Fax (905) 847-9006

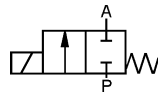
burkert
Easy Fluid Control Solutions

Technical Data Type 6013

Circuit Function

A – 2/2-way valve,
normally closed

Symbol



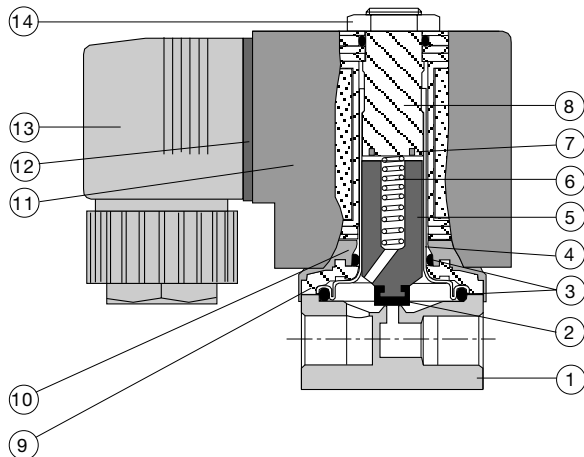
Operating Data (Valve)

Pressure range	0-145 PSI (see specifications)
Port connection	Threaded port 1/8" - 1/4" NPT
Orifice	5/64" - 1/4"
Fluid	Neutral gases and liquids, e.g. compressed air, town gas, natural gas, water, hydraulic oil, petrol. Stainless steel version: Difficult and slightly aggressive media. Suitable for technical vacuum.
Medium temperature	14°F to 212°F (-10°C to 100°C)
Max. ambient temperature	130°F (55°C)
Max. viscosity	21 cSt
Response times	
opening	AC, DC 20 ms
closing	AC, DC 30 ms
Installation	As required, but preferably with solenoid system upright

Operating Data (Actuator)

Operating voltages	AC 24, 110, 230 V/60 Hz, DC 12, 24
Voltage tolerance	±10%
Power consumption	
32 mm-coil	AC inrush AC hold DC 24 VA 17 VA/8 W 8 W
Duty cycle	100% continuously rated
Cycling rate	Up to 1000 c.p.m.
Rating with cable plug	NEMA 4 (IP 65)
Electrical connection	Delivery standard: Cable plug DIN 43 650 A, 0-250 V. (other versions see accessories)

Materials



1	Valve body:	Brass, 303 Stainless steel (1/8" NPT) 316L Stainless steel (1/4" NPT)
2	Plunger-seal:	FPM (Viton)
3	O-rings:	FPM (Viton)
4	Plunger guide tube:	308 Stainless steel
5	Plunger:	430F Stainless steel
6	Spring:	301 Stainless steel
7	Shading ring:	Copper (brass version) Silver (Stainless steel version)
8	Stopper:	430F Stainless Steel
9	Flange:	Cadmium plated steel
10	Bonnet:	Durethan BKV30H
11	Coil:	PA (Polyamide)
12	Flat seal:	NBR
13	Cable plug:	PA (Polyamide)
14	Locknut:	Zinc plated steel

Specifications - Ordering Chart (Other Versions on Request)

Type 6013: Brass Body, Coil 8W

(with standard-cable plug 0-250 V AC/DC)

Circuit Function	Orifice [inch]	Cv	Pressure Range [psi]	Port Connection [inch]	Seal Material	Voltage/Frequency [V/Hz]	Weight [oz.]	Item No.
A	5/64	0.14	0-145	1/8	FPM	24 DC	12	456 307 F
			0-145			24/60		456 308 Q
			0-145			120/60		456 309 R
			0-145			240/60		456 310 D
	7/64	0.19	0- 87	1/8	FPM	24 DC	12	456 311 S
			0- 87			24/60		456 312 T
			0- 87			120/60		456 313 U
			0- 87			240/60		456 314 V
	1/8	0.27	0- 87	1/8	FPM	24 DC	12	456 315 W
			0-145			24/60		456 316 X
			0-145			120/60		456 317 Y
			0-145			240/60		456 318 H
	1/8	0.27	0- 87	1/4	FPM	24 DC	16	456 319 A
			0-145			24/60		456 320 F
			0-145			120/60		456 321 U
			0-145			240/60		456 322 V
	5/32	0.35	0- 30	1/4	FPM	24 DC	16	456 323 W
			0- 60			24/60		456 324 X
			0- 60			120/60		456 325 Y
			0- 60			240/60		456 326 Z
	1/4	0.64	0- 15	1/4	FPM	24 DC	16	456 848 D
			0- 23			24/60		456 849 E
			0- 23			120/60		456 850 B
			0- 23			240/60		456 851 Y

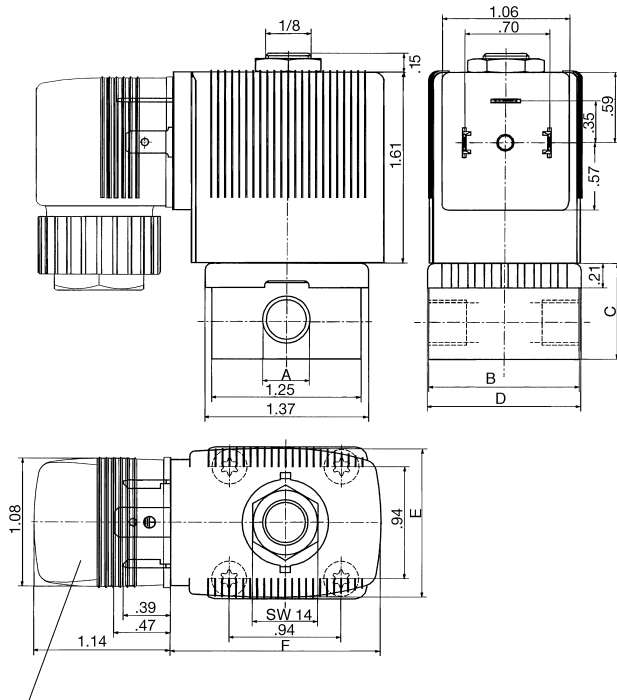
Type 6013: Stainless Steel Body; Coil 8W

(with standard-cable plug 0-250 V AC/DC)

Circuit Function	Orifice [inch]	Cv	Pressure Range [PSI]	Port Connection [inch]	Seal Material	Voltage/Frequency [V/Hz]	Weight [oz.]	Item No.
A	5/64	0.14	0-145	1/8	FPM	24 DC	12	457 302 B
			0-145			24/60		457 303 C
			0-145			120/60		457 304 D
			0-145			240/60		457 305 E
	1/8	0.27	0- 87	1/8	FPM	24 DC	12	456 331 W
			0-145			24/60		456 332 X
			0-145			120/60		456 333 Y
			0-145			240/60		456 334 Z
	1/8	0.27	0- 87	1/4	FPM	24 DC	16	456 526 J
			0-145			24/60		456 527 K
			0-145			120/60		456 528 U
			0-145			240/60		456 529 V
	5/32	0.35	0- 30	1/4	FPM	24 DC	16	456 494 K
			0- 60			24/60		456 495 L
			0- 60			120/60		456 496 M
			0- 60			240/60		456 497 N

Dimensions (inch)

Solenoid Coil: 8W Power Consumption

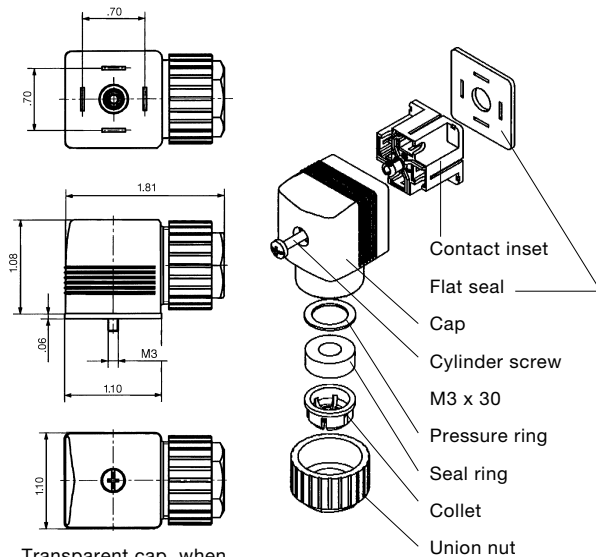


Variable Dimensions

	A	B	C	D	E	F
Threaded port 1/8" NPT	1.25"	1.81"	.81"	1.28"	1.25"	1.77"
Threaded port 1/4" NPT	1.25"	1.81"	1.05"	1.92"	1.25"	1.77"

Cable plug DIN 43650, form A,
(0-250 V AC/DC) delivery standard.

Dimensions Accessories (inch)



Transparent cap, when
wired with LED.

Ordering Chart for Accessories

Device/ Accessory	Features	Item No.
Cable-plugs¹⁾ Type 2508	Standard cable plug, 0–250 V AC/DC (standard-delivery) ¹⁾	008 376 N
	with LED, 12–24 V AC/DC	008 360 S
	with LED, 100–120 V AC/DC	008 361 P
	with LED + varistor, 12–24 V AC/DC	008 367 M
	with LED + varistor, 100–120 V AC/DC	008 368 W
	with LED + varistor, 200–240 V AC/DC (optional wirings and connection specifications see datasheet Type 2508)	008 369 X

¹⁾ The standard cable plug (0-250 V AC/DC), Item No. 008 376 N is part of the standard delivery.
Order optional cable plugs with separate item number.

For additional cable plug selections, see datasheet Type 2508