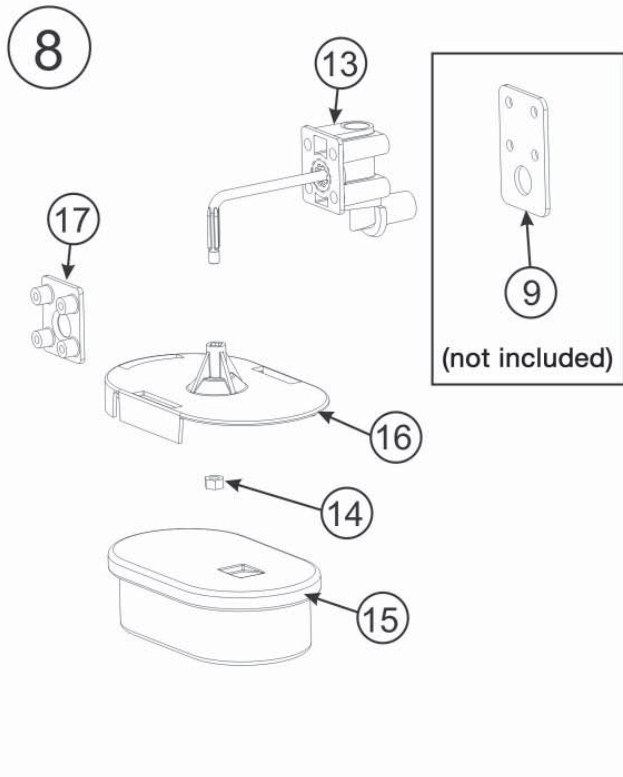
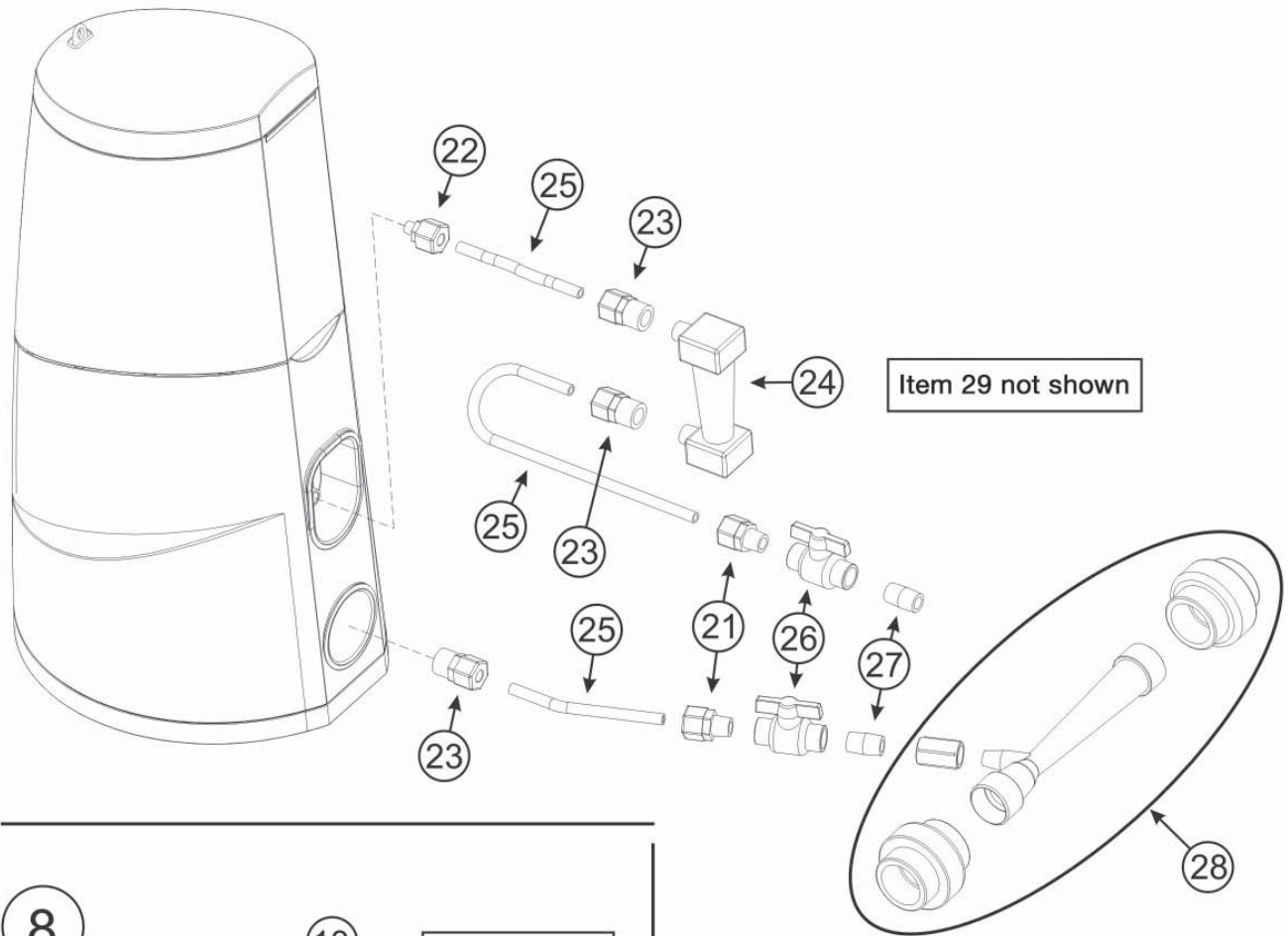
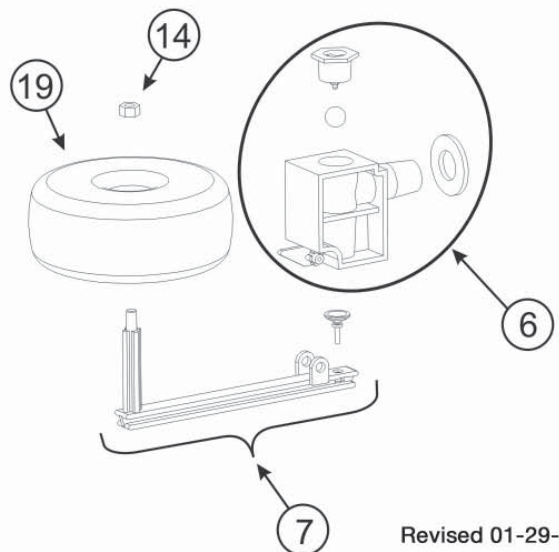


Pulsar® 1 Feeder: Diagram B

See page 16 for Diagram Descriptions



Discharge Valve Components



Revised 01-29-09