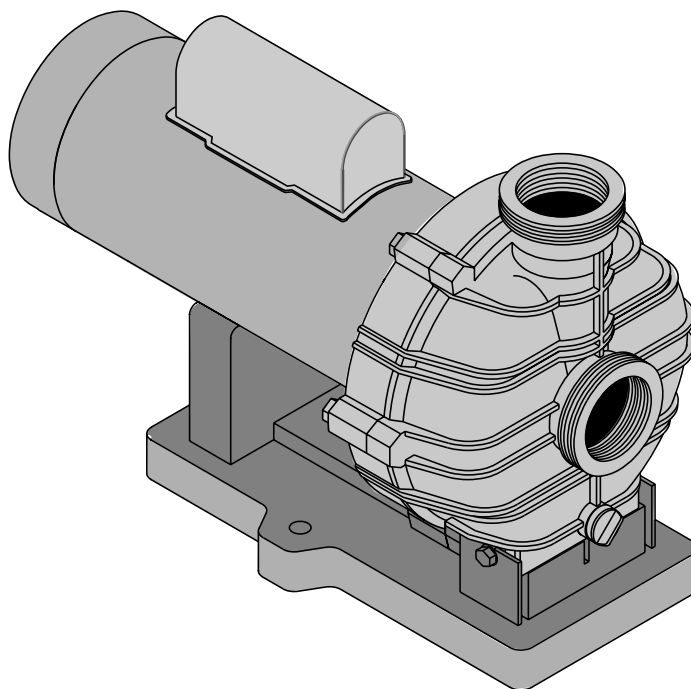




BOOSTER PUMP

OWNER'S MANUAL



INSTALLATION, OPERATION & PARTS

115/230V/60Hz/1Ph - 79214 1 HP Model

This manual should be given to the user of this pump.

© 2010 Arch Chemicals, Inc.
1200 Lower River Road, Charleston, TN 37310
1-800-310-TECH(8324)



Pulsar® is a registered trademarks of Arch Chemicals Inc. Plasto-Joint Stik® is a registered trademark of La-Co Industries, Inc. Teflon® is a registered trademark of E.I. Du Pont De Nemours and Company Corporation. Unless noted, names and brands of others that may be used in this document are not used to indicate an affiliation or endorsement between the proprietors of these names and brands and Pentair Water Pool and Spa, Inc. Those names and brands may be the trademarks or registered trademarks of those parties or others.

05-26-10

359608 (Rev. A)

READ THIS MANUAL CAREFULLY!

The PULSAR SYSTEM Series pump:

Table of Contents

Safety Instructions	2
Installation	3-4
Electrical	4-6
Operation	6
Storage/Winterizing	6-7
Pump Service	7-8
Troubleshooting Guide	9
Repair Parts List	10
Warranty	11

IMPORTANT SAFETY INSTRUCTIONS

Always follow basic safety precautions with this equipment, including the following.

▲ WARNING To reduce the risk of injury, do not permit children to use this product unless they are closely supervised at all times.

▲ CAUTION This pump is for use with permanently installed pools and may also be used with hot tubs and spas if so marked. Do not use with storable pools. A permanently installed pool is constructed in or on the ground or in a building such that it cannot be readily disassembled for storage. A storable pool is constructed so that it may be readily disassembled for storage and reassembled to its original integrity.

SAVE THESE INSTRUCTIONS

READ AND FOLLOW SAFETY INSTRUCTIONS!

▲ This is the safety alert symbol. When you see this symbol on your system or in this manual, look for one of the following signal words and be alert to the potential for personal injury.

▲ DANGER warns about hazards that will cause death, serious personal injury, or major property damage if ignored.

▲ WARNING warns about hazards that can cause death, serious personal injury, or major property damage if ignored.

▲ CAUTION warns about hazards that will or can cause minor personal injury or property damage if ignored.

NOTICE indicates special instructions not related to hazards.

Carefully read and follow all safety instructions in this manual and on equipment. Keep safety labels in good condition; replace if missing or damaged.

▲ WARNING Incorrectly installed or tested equipment may fail, causing severe injury or property damage.

Read and follow instructions in owner's manual when installing and operating equipment. Have a trained pool professional perform all pressure tests.

1. Do not connect system to a high pressure or city water system.
2. Use equipment only in a pool or spa installation.
3. Trapped air in system can cause explosion. BE SURE all air is out of system before operating or testing equipment.

Before pressure testing, be sure to follow the safety checks listed below:

- Check all clamps, bolts, lids, and system accessories before testing.
- Release all air in system before testing.
- Tighten trap lids to 30 ft. lbs. (4.1 kg-m) torque for testing.
- Water pressure for test must be less than 25 PSI (7.5 kg/cm²).
- Water Temperature for test must be less than 100° F. (38° C).
- Limit test to 24 hours. After test, visually check system to be sure it is ready for operation. Remove trap lid and retighten hand tight only.

INSTALLATION

NOTE: This booster pump is designed without a strainer. However, a strainer that meets NSF 50 requirements can be used with the pump.

Only qualified, licensed personnel should install pump and wiring.

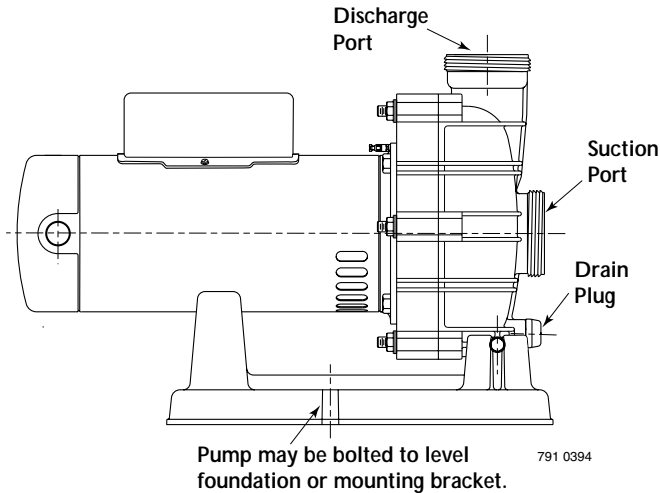


Figure 1

Port threads:
 Internal - 2" NPT for direct connection to pipe. External - 3" Buttress. Fits U11-200PS Union Collar for quick disconnect pipe connection.
 Order: Union Kit #42001-0402 (2" Union Halves).

Pump mount must:

- Be solid - Level - Rigid - Vibration free. (To reduce vibration and pipe stress, bolt pump to mount.)
- Install pump with suction port below water level (flooded suction) only. Pump does not lift water.
- Allow use of short, direct suction pipe (To reduce friction losses).
- Allow for gate valves in suction and discharge piping.
- Have adequate floor drainage to prevent flooding.
- Be protected from excess moisture.
- Allow adequate access for servicing pump and piping.

NOTICE: When connecting threaded pipe directly to pump, use Teflon tape or Plasto-Joint Stik to seal connections. Do not use pipe dope; pipe dope causes cracking in some plastics and may damage components in piping system.

When connecting threaded pipe to pump with union half, use Teflon tape or Plasto-Joint Stik between pipe and union adapter. Union collar to pump should be assembled dry and hand-tight. Make sure O-ring is seated in groove.

NOTICE: Pump suction and discharge connections have molded in thread stops. DO NOT try to screw pipe in beyond these stops.

Teflon Taping Instructions:

Use only new or clean PVC pipe fittings. Wrap male pipe threads with one to two layers of Teflon tape. Cover entire threaded portion of pipe. **Do not** overtighten or tighten past thread stop in pump port! If leaks occur, remove pipe, clean off old tape, rewrap with one to two additional layers of tape and remake the connection.

NOTICE: Support all piping connected with pump!

Piping:

Use at least 1-1/2" (38mm) pipe (use 2"(51mm) pipe if possible). Increase size if a long run is needed. When using 1-1/2" pipe, connect to pump with 1-1/2" to 2" (38 to 51mm) reducing adapter.

To avoid strains on the pump, support both suction and discharge pipes independently. Place these supports near the pump.

To avoid a strain left by a gap at the last connection, start all piping at the pump and run pipe **away** from the pump.

To avoid airlocking, slope suction pipe slightly upward toward the pump.

NOTICE: To prevent flooding when removing pump for service, all flooded suction systems **must** have gate valves in suction and discharge pipes.

Fittings:

Fittings restrict flow; for best efficiency use fewest possible fittings.

Avoid fittings which could cause an air trap in suction piping.

Pool and spa drains must conform to International Association of Plumbing and Mechanical Officials (IAPMO) standards.

Use only non-entrapping suction fittings and dual suction outlets.

ELECTRICAL



⚠ Ground motor before connecting to electrical power supply. Failure to ground motor can cause severe or fatal electrical shock hazard.

⚠ Do not ground to a gas supply line.

⚠ To avoid dangerous or fatal electrical shock, turn OFF power to motor before working on electrical connections.

⚠ Ground Fault Circuit Interrupter (GFCI) tripping indicates an electrical problem. If GFCI

trips and will not reset, have a qualified electrician inspect and repair electrical system.

⚠ Exactly match supply voltage to motor nameplate voltage. Incorrect voltage can cause fire or seriously damage motor and voids warranty. If in doubt consult a licensed electrician.

See Figure 2.

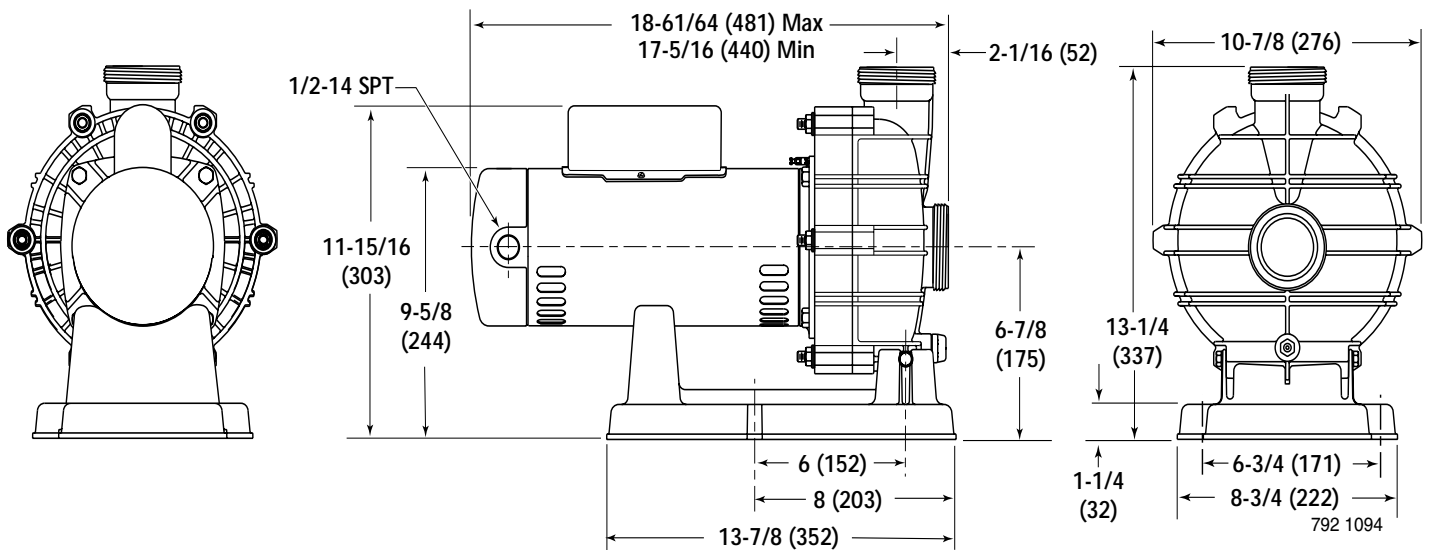


Figure 2 – Outline Dimensions in Inches (mm)

Voltage

Voltage at motor must be not more than 10% above or below motor nameplate rated voltage or motor may overheat, causing overload tripping and reduced component life. If voltage is less than 90% or more than 110% of rated voltage when motor is running at full load, consult power company.

Grounding/Bonding

Install, ground, bond and wire motor according to local or National Electrical Code requirements.

Permanently ground motor. Use green ground terminal provided under motor canopy or access plate (See Fig. 3); use size and type wire required by code. Connect motor ground terminal to electrical service ground.

Bond motor to pool structure. Use a solid copper conductor, size No. 8 AWG (8.4 sq.mm) or larger. Run wire from external bonding lug (see Fig. 3) to reinforcing rod or mesh.

Connect a No. 8 AWG (8.4 sq.mm) solid copper

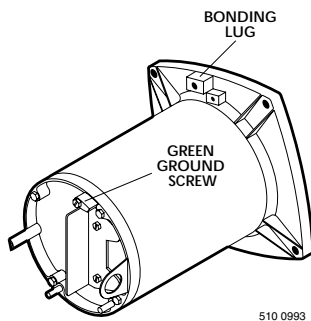


Figure 3 – Typical ground screw and bonding lug locations.

bonding wire to the pressure wire connector provided on the motor housing and to all metal parts of the swimming pool, spa, or hot tub and to all electrical equipment, metal piping or conduit within 5 feet (1.5 m) of the inside walls of swimming pool, spa, or hot tub.

Wiring

Pump must be permanently connected to circuit (see Figure 4A and 4B); be sure no other lights or appliances are on the same circuit. Match wire sizes to Table I (Pg. 6).

NOTICE: To prevent dirt, rain, bugs, etc., from entering motor when not wiring with conduit, **be sure** to seal wire opening on end of motor.

Use Ground Fault Circuit Interrupter (GFCI) as master on-off switch; it will sense a short circuit to ground and disconnect power before it becomes dangerous to pool users. Test according to maker's instructions.

In case of power outage, check GFCI for tripping (which will prevent normal water circulation). Reset if necessary.

▲ WARNING Risk of dangerous or fatal electrical shock.

Be sure that power to the motor circuit is off before working on wiring, wiring connections, or motor. Re-install the motor end cover and all other wiring covers before turning on the power.

1. Turn off power.
2. Remove the motor end cover.

To Wire a Single Speed, Single Voltage Motor

There are two terminals labeled L1 and L2. Attach the power leads to these terminals. Either wire may attach to either terminal.

To Wire a Dual-Voltage Motor

Dual voltage motors have a plug to change from 230 volts (factory setting) to 115 volts.

1. If you have 230 volts motor supply voltage, confirm that the plug is set for 230 volts. The arrow on the plug will point to the 230 volt position. Note that plug only connects with one prong in this position.
2. If you have 115 volt supply, pull the plug straight up and place it on the two brass prongs as shown.

NOTE: Arrow is highlighted for clarity.



Figure 4A -Voltage Change Plug Set for 230 Volts



Figure 4B Voltage Change Plug Set for 115 Volts

OPERATION

NOTICE: NEVER run pump dry. Running pump dry may damage seals, causing leakage and flooding. Fill pump with water before starting motor.

⚠ DANGER



Hazardous suction. Can trap hair or body parts, causing severe injury or death.

Do not block suction. Do not operate system with broken or missing drain covers.

⚠ Do not block pump suction. To do so with body may cause severe or fatal injury. Small children using pool must ALWAYS have close adult supervision.

Priming Pump

Release all air from filter and piping system: see filter owner's manual.

In a flooded suction system (water source higher than pump), pump will prime itself when

suction and discharge valves are opened.

Storage/Winterizing:

NOTICE: Allowing pump to freeze will damage pump and void warranty!

NOTICE: Do not use anti-freeze solutions (except propylene glycol) in your pool/spa system. Propylene glycol is non-toxic and will not damage plastic system components; other anti-freezes are highly toxic and may damage plastic components in the system.

TABLE I - RECOMMENDED FUSING AND WIRING DATA

NOTICE: 79214 pumps use 60 Cycle current only.

Motor HP	Branch Fuse Rating Amps*	Max Load Amps	Voltage/ Hz/Phase	Serv. to Motor - Dist. in Ft. (M)		
				0-100' (0-30)	101-200' (30-60)	201-300' (60-90)
79214 Model: 1	20/15	12.6/6.3	115/230/60/1	12(2)/14(2)	10(2)/14(2)	10(2)/14(2)

(*) Time delay fuses are recommended instead of standard fuses in any motor circuit.

Drain all water from pump and piping when expecting freezing temperatures or when storing pump for a long time (see instructions below).

Keep motor dry and covered during storage.

To avoid condensation/corrosion problems, **do not** cover pump with plastic.

For outdoor/unprotected installations:

1. Enclose entire system in a weatherproof enclosure.
2. To avoid condensation/corrosion damage, allow ventilation; **do not** wrap system in plastic.
3. Use a 40% propylene glycol/60% water solution to protect pump to -50°F (-46°C).

Draining Pump



1. Pump down water level below all inlets to the pool.

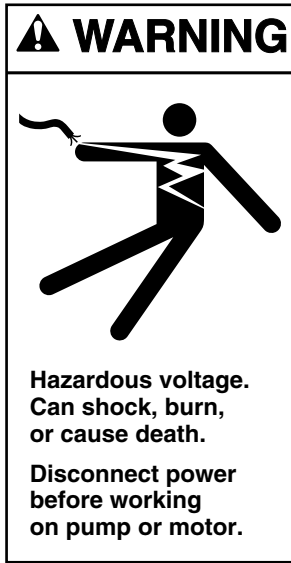
⚠ To avoid dangerous or fatal electrical shock hazard, turn OFF power to motor before draining pump.

2. Cap inlet piping after draining to keep water out of the pipes.
3. To prevent pump from freezing, drain the pump body through the drain fitting provided.
4. Be sure motor is kept dry and covered.

Startup For Winterized Equipment

1. Remove any temporary weather protection placed around system for shutdown.
2. Follow filter manufacturer's instructions for reactivation of the filter.
3. Inspect all electrical wiring for damage or deterioration over the shutdown period. Have a qualified serviceman repair wiring as needed.
4. Inspect and tighten all watertight connections.
5. Open all valves in suction and return piping.
6. Remove any winterizing plugs in piping system.
7. Drain all antifreeze from system.
8. Close all drain valves and replace all drain plugs in piping system.
9. Prime pump according to instructions on Page 6.

PUMP SERVICE



Pump should only be serviced by qualified personnel.

Be sure to prime pump (Pg. 6) before starting.

1. **STOP PUMP** before proceeding.
2. **CLOSE GATE VALVES** in suction and discharge pipes.
3. **RELEASE ALL PRESSURE** from pump and piping system.

⚠ To avoid dangerous or fatal electrical shock

hazard, turn OFF power to motor before working on pump or motor.

If shaft seal is worn or damaged, repair as follows:

Pump Dissassembly/Removing Old Seal

Disconnect power to pump motor.

⚠ Be sure gate valves on suction and return piping are closed before starting work.

Release all pressure by opening all vents before starting work.

1. Drain pump through drain fitting on bottom of pump body.
2. Remove 6 nuts, lockwashers and flat washers holding seal plate to pump body. Pull seal plate and motor away from pump body. (You may have to CAREFULLY use a screwdriver to separate body from seal plate.)
3. Remove seven screws and washers holding diffuser to seal plate. Remove diffuser.
4. Remove motor canopy. Being careful not to touch capacitor terminals, loosen capacitor clamp and move capacitor to one side.
5. Hold shaft with 7/16" open-end wrench on motor shaft flats.
6. Unscrew impeller from shaft (turn counterclockwise when facing it).
7. Remove four screws holding seal plate to motor.

8. Place seal plate face down on flat surface and tap out ceramic seat (Fig. 5).
9. Remove slinger from motor shaft and inspect for damage or abrasion.



Figure 5

10. Clean seal cavity in seal plate and clean motor shaft.

Pump Reassembly/Installing New Seal

1. Ceramic seal must be clean and free of dirt, grease, dust, etc. Wet outer edge with small amount of liquid detergent; press ceramic seal into seal plate cavity firmly and squarely with finger pressure (Fig. 6).

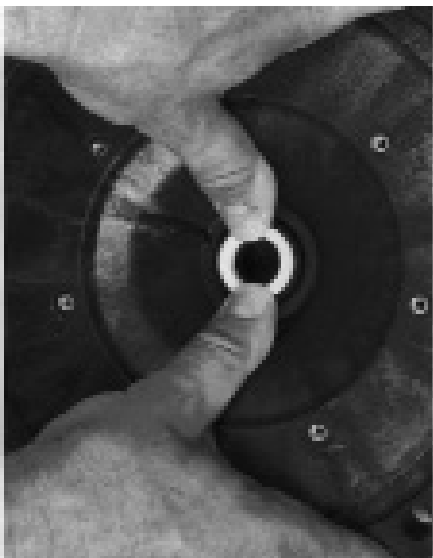


Figure 6

2. If ceramic seal will not seat properly, remove it, place face up on bench and reclean cavity. Ceramic seal should now seat properly.
3. If seal still will not seat properly, place a cardboard washer over the polished face and use a piece of 3/4" (19mm) standard pipe for pressing purposes. **NOTICE: Be sure not to scratch or mar polished surface or seal will leak.**
4. Replace slinger on end of motor shaft so that impeller sleeve will push it into position. If slinger shows signs of wear or damage, replace it.
5. Remount seal plate on motor. Tighten bolts to 60-80 inch-lbs. (69-92 kg/cm) torque.
6. Apply a **small amount** of liquid detergent to inside diameter of rotating half of seal.
7. Slide rotating seal member, polished carbon face out, over impeller sleeve until rubber drive ring hits back of impeller. **NOTICE: Be sure not to nick or scratch polished seal face; seal will leak if face is damaged.**
8. Screw impeller onto shaft (clockwise); this will automatically locate seal in seal plate.
9. Mount diffuser on seal plate; tighten screws to 10-14 inch-lbs. (11.2-16.1 kg/cm) torque.
10. Assemble motor and seal plate to pump body with nuts, flat washers and lock washers. Torque nuts to 120-130 in-lbs. (138-150 kg/cm).
11. Prime pump according to instructions on Page 6.

TROUBLESHOOTING GUIDE

⚠ Read and understand safety and operating instructions in this manual before doing any work on pump!

⚠ Only qualified personnel should electrically test pump motor!

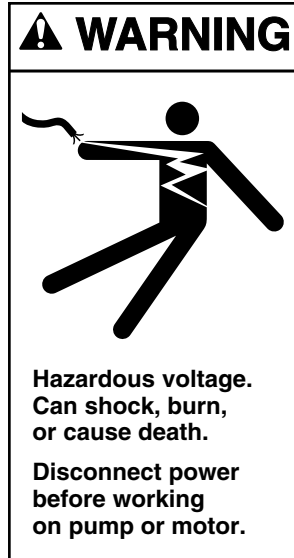
FAILURE TO PUMP; REDUCED CAPACITY OR DISCHARGE PRESSURE

Suction leaks/lost prime:

1. Make sure there are no leaks in suction piping.
2. Make sure suction pipe inlet is well below the water level to prevent pump from sucking air.
3. Make sure pump is not trying to lift water.
4. Make sure suction pipe is at least 2" (51mm) in diameter.

Clogged pipe/impeller, worn impeller:

1. Make sure impeller is not clogged (follow steps 1 through 7 under "Removing Old Seal", Page 7; check impeller for clogging; follow steps 7 through 11 under "Installing New Seal", Page 8, for reassembly).
2. Impeller and diffuser may be worn. If so, order replacement parts from Repair Parts List, Page 10.



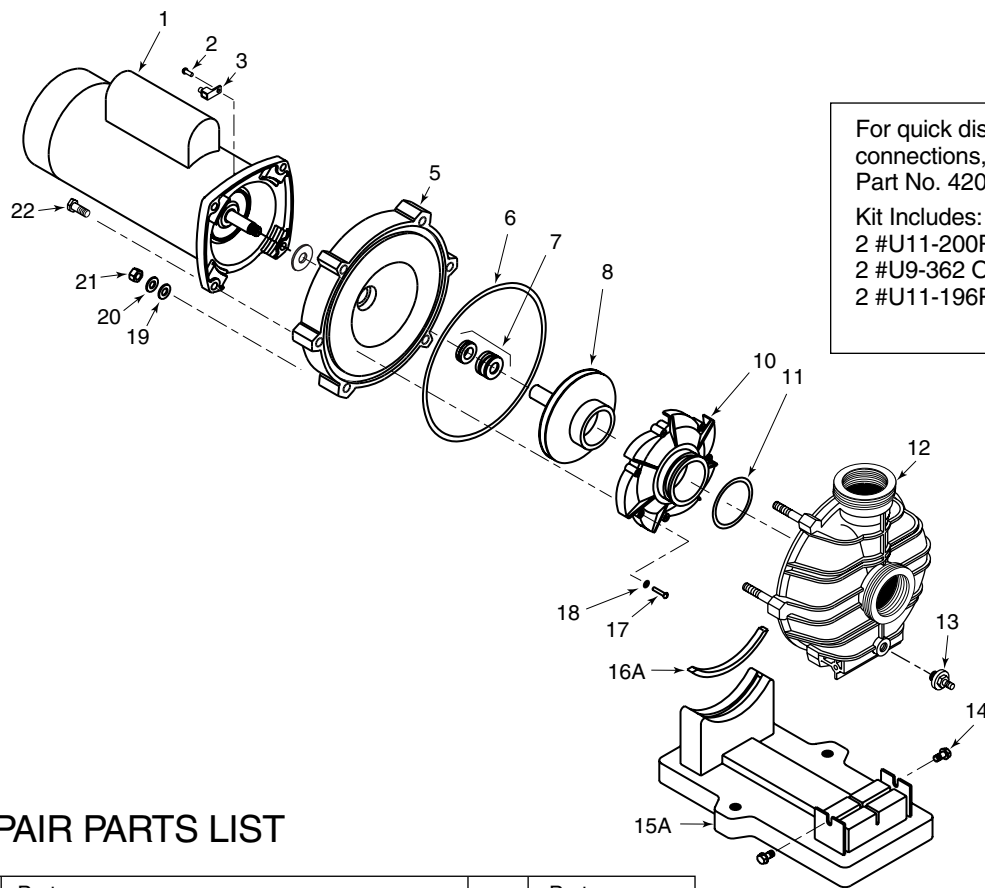
Electrical:

1. Pump may be running too slowly; check voltage at motor terminals and at meter while pump is running. If low, see wiring instructions or consult power company. Check for loose connections.
2. Pump may be too hot.
 - A. Check line voltage; if less than 90% or more than 110% of rated voltage consult a licensed electrician.
 - B. Increase ventilation.
 - C. Reduce ambient temperature.

D. Tighten any loose connections.

MECHANICAL TROUBLES AND NOISE

1. If suction and discharge piping are not adequately supported, pump assembly will be strained. See "Installation", Page 3.
2. Do not mount pump on a wooden platform! Securely mount on concrete platform for quietest performance.



For quick disconnect pipe connections, purchase separately Part No. 42001-0402 Union Kit) .

Kit Includes:
 2 #U11-200PS Union Collars
 2 #U9-362 O-Ring
 2 #U11-196PS 2" Slip Adapter

REPAIR PARTS LIST

Key No.	Part Description	Qty.	Part Number
1	Motor	1	See Chart
2	Screw #10-32x1/2"	1	U30-692SS
3	Bonding Lug	1	U17-568
5	Seal Plate	1	C3-184P
6	Seal Plate Cord Ring	1	U9-373
7	Shaft Seal	1	359607S
8	Impeller	1	See Chart
10	Diffuser	1	C1-270PC
11	Diffuser O Ring	1	U9-374
12	Pump Body (Only)	1	17303-0001
13	Drain Plug and O-Ring	1	U178-920P
14	Hi-Lo Screw 5/16-14x5/8"	2	U30-919SS
15A	Base - Corrosion Resistant	1	C4-77P
16A	Motor Pad - for Corrosion Resistant Base	1	C35-45
17	Screw #8-32x7/8" Rd. Hd.	7	U30-542SS
18	Lock Washer #8 Ext. Tooth	7	U43-21SS
19	Flat Washer 3/8"	6	U43-62SS
20	Lock Washer 3/8"	6	U43-12SS
21	Nut 3/8-16 Hex	6	071403
22	Cap Screws 3/8-16x1" Hex.	4	U30-74SS
	• Nameplate	1	32155-7117
	• Tag, "Warning/Caution/Instruction"	1	C63-12

Parts are common to all models except as noted:
 Key Nos. 1, Motor are listed below.

Model No.	HP	Motor No. (Key No. 1)	Impeller (Key No. 8)
79214	1	6203-2029	C105-236PB

NOTE: This booster pump is designed without a strainer. However, a strainer that meets NSF 50 requirements can be used with the pump.

Note: (•) Not illustrated.

Blank Page

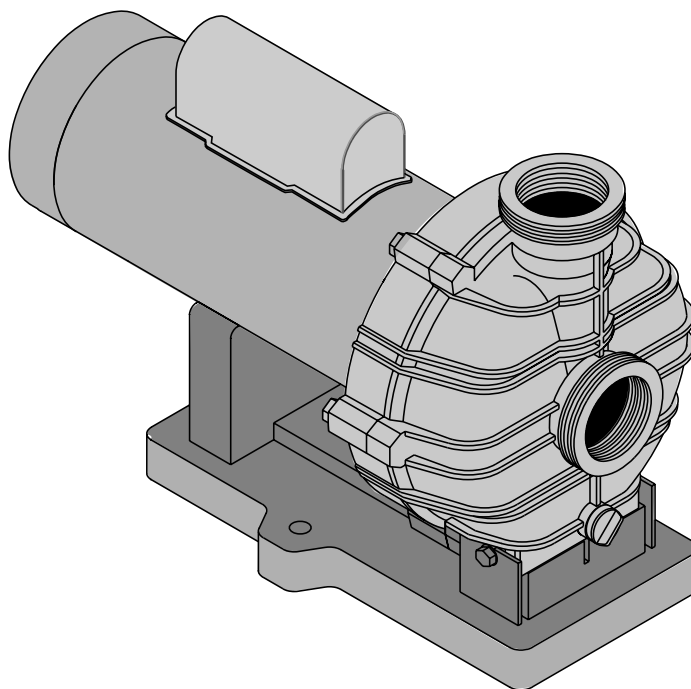


359608 (Rev. A) 05-26-10



POMPE POUR CUVE À REMOUS

NOTICE D'UTILISATION



INSTALLATION, FONCTIONNEMENT ET PIÈCES

MODÈLES de la série 79214 –115/230 volts/60 Hz/1 phase

Cette Notice doit être remise à l'utilisateur de cette pompe; elle servira à réduire les appels de dépannage et les possibilités de blessures, de même qu'à prolonger la durée de la pompe.

© 2010 Arch Chemicals, Inc.
1200 Lower River Road, Charleston, TN 37310
1-800-310-TECH(8324)



Pulsar® est une marque de commerce enregistrée de Arch Chemicals, Inc. et/ou de ses filiales aux États Unis et/ou dans d'autres pays. Plasto-Joint Stik® est une marque de commerce enregistrée de La-Co Industries, Inc. Teflon® est une marque de commerce enregistrée de E.I Du Pont De Nemours et Company Corporation. À moins qu'il en soit indiqué autrement, l'utilisation des noms et des marques des produits autres que les siens dans ce document ne présuppose nullement l'affiliation entre les propriétaires de ces noms et marques de commerce et Pentair Water Pool and Spa, Inc. ou leur cautionnement.

26-05-10

359608 (Rév.A)

Pour éviter des services de dépannage inutiles, des blessures possibles et obtenir le meilleur rendement de cette pompe, LIRE ATTENTIVEMENT CETTE NOTICE!

Les pompes de la série PULSAR SYSTEM:

Table des matières

Instructions de sécurité	2
Installation	3-4
Électricité	4-6
Fonctionnement	6
Entreposage et préparation pour l'hiver	6-7
Entretien de la pompe	7-8
Guide de diagnostic des pannes	9
Liste des pièces de rechange	10
Garantie	11

IMPORTANTES INSTRUCTIONS DE SÉCURITÉ

Toujours observer les consignes de sécurité de base lorsque l'on utilise cet équipement, y compris les consignes qui suivent.

▲ AVERTISSEMENT Pour minimiser le risque de blessures, ne pas permettre aux enfants d'utiliser ce produit, à moins qu'ils soient toujours attentivement surveillés.

▲ ATTENTION Cette pompe doit être utilisée avec une piscine à installation permanente seulement; elle peut également être utilisée avec des cuves à remous et des cuves thermales si cela est recommandé. Ne pas utiliser cette pompe avec des piscines portatives. Une piscine à installation permanente est construite dans le sol, sur le sol ou dans un bâtiment et elle ne peut pas être facilement démontée pour être entreposée. Une piscine portative est construite de façon à être facilement démontée pour l'entreposage, puis remontée dans son intégrité d'origine.

CONSERVER CES INSTRUCTIONS

LIRE TOUTES CES INSTRUCTIONS ET

LES SUIVRE!

▲ Ce symbole indique qu'il faut être prudent. Lorsque ce symbole apparaît sur le système ou dans cette Notice, rechercher une des mises en garde qui suivent, car elles indiquent un potentiel possible de blessures corporelles.

▲ DANGER avertit d'un danger qui causera des blessures corporelles, la mort ou des dommages matériels importants si on l'ignore.

▲ AVERTISSEMENT avertit d'un danger qui risque de causer des blessures corporelles, la mort ou des dommages matériels importants si on l'ignore.

▲ ATTENTION avertit d'un danger qui causera ou qui risquera de causer des blessures corporelles, la mort ou des dommages matériels importants si on l'ignore.

Le mot **NOTA** indique des instructions spéciales et importantes n'ayant aucun rapport avec les dangers.

Lire attentivement toutes les consignes de sécurité contenues dans cette Notice ou collées sur l'équipement. Garder les autocollants de sécurité en bon état; les remplacer s'ils manquent ou s'ils ont été endommagés.

▲ AVERTISSEMENT

Pression Dangereuse

Un équipement mal installé ou mal contrôlé peut tomber en panne, causer de graves blessures ou des dommages matériels. Lire et suivre les instructions figurant dans la Notice de l'utilisateur pour installer et utiliser l'équipement. Demander à une personne connaissant bien les piscines de procéder aux contrôles de la pression.

1. Ne pas brancher le système sur une pression élevée ou sur l'eau de la ville.
2. N'utiliser l'équipement qu'avec une piscine ou une cuve à remous.
3. De l'air emprisonné dans le système risque de causer une explosion. S'ASSURER que tout l'air est chassé du système avant de faire fonctionner l'équipement ou de le contrôler.

Avant de procéder à un contrôle de pression, procéder aux vérifications de sécurité suivantes :

- Vérifier tous les colliers, tous les couvercles, tous les accessoires et toutes les vis du système avant de procéder au contrôle.
- Chasser tout l'air emprisonné dans le système avant de procéder au contrôle.
- Pour procéder aux contrôles, serrer le couvercle de la cuve de la crépine au couple de 4,1 kg-cm (30 lb-pi) .
- Pour procéder au contrôle, la pression de l'eau doit être inférieure à 7,5 kg/cm² (25 lb/po²).
- Pour procéder au contrôle, la température de l'eau doit être inférieure à 38 °C (100 °F).
- Limiter le contrôle à 24 heures. Après avoir procédé au contrôle, vérifier visuellement le système pour s'assurer qu'il est prêt à fonctionner. Déposer le couvercle de la cuve de la crépine d'aspiration et ne le resserrer qu'à la main.

INSTALLATION

Si la pompe est installé avec une passoire la passoire besoins à satisfaire aux exigences NSF 50. Cette pompe est conçu comme une pompe d'appoint et n'a pas une passoire.

Seul du personnel qualifié doit procéder à l'installation et au câblage de la pompe.

L'assise sur laquelle la pompe sera montée doit :

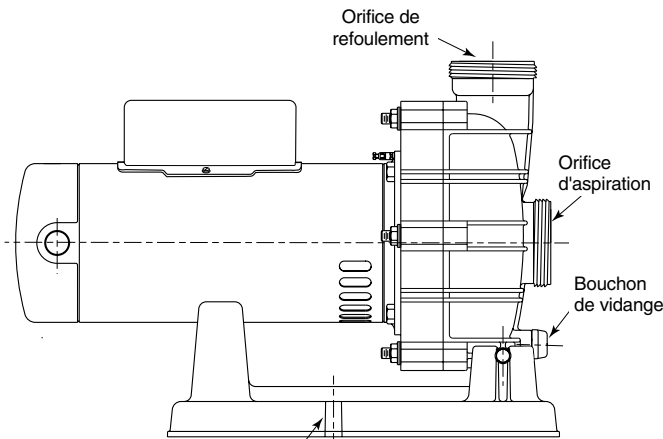


Figure 1

La pompe peut être boulonnée sur une assise ou une fondation de niveau.

Filets de l'orifice :

Internes - 2 pouces NPT pour un branchement direct sur la tuyauterie. Externes - 3 pouces, en dent de scie. S'adapte sur le raccord union 38405 pour un débranchement rapide du raccord de la pompe.

Commande : Nécessaire de raccord union n° 77703-0105 (demi-raccords unions de 2 pouces).

Être solide - de niveau - rigide - et ne pas vibrer. (Pour réduire les vibrations et les contraintes sur les tuyauteries, boulonner la pompe sur le socle.)

Installer la pompe de façon que l'orifice d'aspiration ne se trouve que sous le niveau de l'eau (aspiration noyée).

Cette pompe n'est pas une pompe élévatoire.

Permettre d'utiliser un tuyau d'aspiration direct de courte longueur (pour éviter les pertes par frottement).

Permettre la pose des robinets-vannes sur les tuyauteries d'aspiration et de retour.

Avoir un drainage de plancher adéquat pour éviter les inondations.

Être protégée contre toute humidité excessive.

Permettre un accès adéquat, afin de pouvoir intervenir sur la pompe et sur les tuyauteries.

NOTA : N'utiliser que du ruban téflon ou du Plasto-Joint Stik¹ sur les raccords filetés directement branchés sur la pompe. Ne pas utiliser de pâte pour raccords filetés car elle risque de fissurer certains plastiques et risque d'endommager les éléments du système de tuyauterie.

Lorsque l'on branche le tuyau fileté sur la pompe à l'aide d'un demi-raccord union, utiliser du ruban téflon ou du

Plasto-Joint Stik entre le tuyau et l'adaptateur du raccord union. La bague du raccord union branchée sur la pompe ne doit être assemblée qu'à sec et serrée qu'à la main. S'assurer que le joint torique repose bien dans la gorge.

NOTA : Les raccords d'aspiration et du retour de la pompe sont munis de butées filetées. NE PAS essayer de visser le tuyau au-delà de ces butées.

Instructions pour envelopper les filets de ruban téflon

N'utiliser que des raccords de tuyau en PCV neufs ou propres.

Envelopper les filets mâles d'une ou de deux couches de ruban téflon. Couvrir toute la partie filetée du tuyau.

Ne pas trop serrer ou serrer au-delà de la butée filetée de l'orifice de la pompe.

En cas de fuites, débrancher le tuyau, enlever tout le ruban, envelopper les filets d'une ou deux couches de nouveau ruban, puis rebrancher le tuyau.

NOTA : Toute la tuyauterie branchée sur la pompe doit être supportée!

Tuyauterie :

- Utiliser des tuyaux en PCV ayant au moins 38 mm (1-1/2 pouce) de diamètre (dans la mesure du possible, utiliser un tuyau ayant 51 mm [2 pouces] de diamètre). Augmenter le diamètre si l'on doit utiliser de grandes longueurs. Lorsque l'on utilise un tuyau de 38 mm (1-1/2 pouce), le brancher sur la pompe en utilisant un raccord de réduction de 38 mm à 51 mm (1-1/2 pouce à 2 pouces).
- Pour éviter que des contraintes soient exercées sur la pompe, supporter indépendamment les tuyauteries d'aspiration et de retour. Ces supports doivent être posés près de la pompe.
- Pour éviter toute contrainte pouvant être exercée par un espace côté dernier raccord, poser la tuyauterie en commençant du côté de la pompe et en s'éloignant de la pompe.
- Pour éviter la formation de bouchons d'air, incliner légèrement la tuyauterie d'aspiration vers le haut et vers la pompe.
- **NOTA :** Pour empêcher toute inondation lorsque l'on déposera la pompe pour l'entretenir, les tuyauteries d'aspiration et de retour des systèmes à aspiration noyée doivent être munies de robinets-vannes.

Raccords :

- Les raccords limitent la circulation de l'eau; pour obtenir la meilleure circulation possible de l'eau, utiliser le moins possible de raccords.
- Éviter d'utiliser des raccords qui risquent d'emprisonner l'air dans la tuyauterie d'aspiration.
- Les drains des piscines et des cuves à remous doivent se conformer aux normes officielles de l'Association Internationale de la Plomberie et de la Mécanique (IAPMO).
- N'utiliser que des raccords d'aspiration autres que ceux «à-piégeage» et une double sortie d'aspiration.

ÉLECTRICITÉ

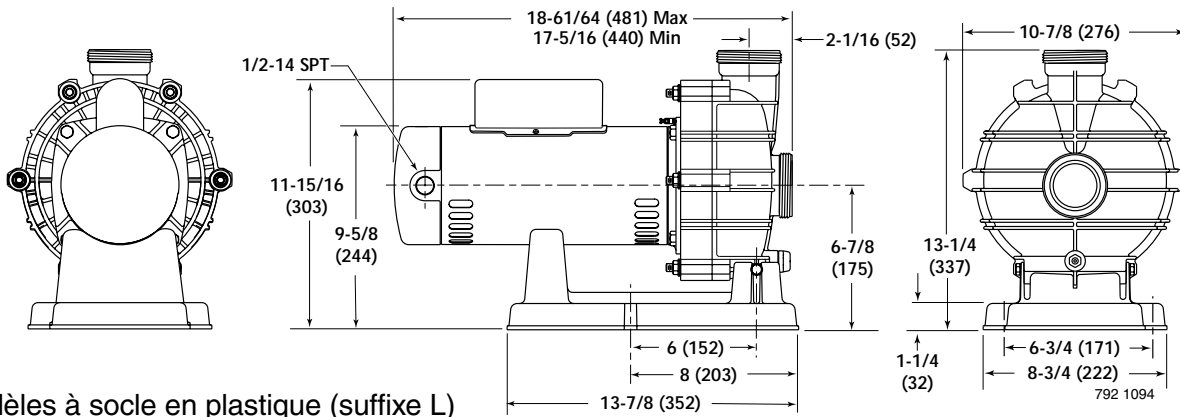


⚠ Connecter le moteur à la terre avant de le brancher sur le courant électrique! Ne pas connecter le moteur de la pompe à la terre risque de causer des chocs électriques graves, voire mortels!

⚠ Ne pas connecter à la terre sur une conduite de gaz!

⚠ Pour éviter tout choc électrique dangereux, voir mortel, **COUPER** l'arrivée de courant parvenant au moteur avant de travailler sur les connexions électriques.

⚠ Le déclenchement de l'interrupteur en cas de fuite à la terre indique un problème électrique. Si cet interrupteur se déclenche et qu'il ne peut pas être réenclenché, demander à un électricien qualifié d'inspecter et de réparer le circuit électrique.



Modèles à socle en plastique (suffixe L)

Figure 2 - Dimensions extérieures en pouces (mm)

⚠ La tension électrique de cette pompe doit exactement correspondre à la tension indiquée sur la plaque signalétique. Toute tension inadéquate risque de causer un incendie ou de sérieusement endommager le moteur, ce qui annulera la garantie. En cas de doute, consulter un électricien qualifié (voir la Figure 4).

Tension :

La tension parvenant au moteur ne doit pas être inférieure ni supérieure à 10 % de la tension nominale figurant sur la plaque signalétique du moteur, sinon le moteur risque de surchauffer, ce qui causera des déclenchements causés par une surcharge thermique et les éléments dureront moins longtemps. Si la tension est inférieure à 90 % ou supérieure à 110 % de la tension nominale lorsque le moteur fonctionne à pleine charge, consulter la compagnie d'électricité.

Mise à la terre :

Le moteur doit être installé, câblé et mis à la terre conformément aux Codes municipaux et national de l'électricité.

Le moteur doit être mis à la terre en permanence. Utiliser la borne verte de mise à la terre prévue sous le capot du moteur ou la plaque d'accès (voir la Figure 3); utiliser le

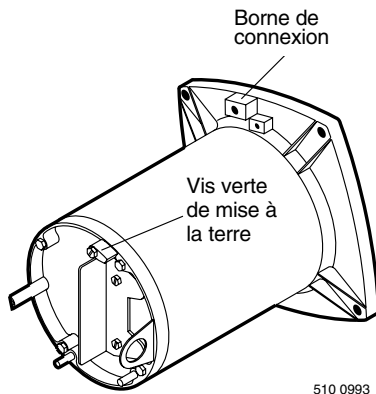


Figure 3 – Emplacements typiques de la vis de mise à la terre et de la borne de connexion

type et le calibre de fils exigés par le code. Brancher la borne de mise à la terre du moteur sur la terre du service électrique.

Raccorder le moteur à la structure de la piscine. Utiliser un conducteur en cuivre massif de calibre AWG n° 8 (8,4 mm²) ou de plus gros calibre. Le conducteur doit être branché entre la borne de connexion externe (voir la Figure 3) et la tresse ou la tige de renfort.

Brancher un fil de connexion en cuivre de calibre AWG n° 8 (8,4 mm²) sur le connecteur du fil de pression se trouvant sur le carter du moteur et sur toutes les parties métalliques de la cuve à remous ou thermale ou de la piscine et sur tout l'équipement électrique, les tuyauteries métalliques ou les conduites se trouvant à 1,50 m (5 pieds) des parois intérieures de la piscine, de la cuve à remous ou thermale.

Câblage :

La pompe doit être branchée en permanence sur son propre circuit électrique; (voir la Figure 4A et 4B), ne pas brancher d'autres éclairages électriques ni appareils ménagers sur le même circuit. Assortir les calibres des conducteurs avec le Tableau I (voir la page 6).

AVIS : Pour empêcher à la saleté, à la pluie, aux insectes, etc. de pénétrer dans le moteur lorsque son câblage ne passe pas dans un tube, **s'assurer** de rendre étanche l'ouverture du câble (côté moteur).

⚠ AVERTISSEMENT Risque de secousses électriques dangereuses, voire mortelles. Avant d'intervenir sur le câblage, les connexions du câblage ou le moteur, s'assurer de couper le courant qui les alimente. Avant de rétablir le courant, reposer le couvercle d'extrémité du moteur ainsi que tous ceux du câblage.

1. Couper le courant.
2. Déposer le couvercle d'extrémité du moteur.

Pour câbler un moteur à une seule vitesse et à une seule tension

Il y a deux bornes : une repérée L1 et l'autre L2. Brancher les fils du courant d'alimentation sur ces bornes. Les fils se branchent sur n'importe quelle borne.

Pour câbler un moteur bitension

Les moteurs bitension comportent une prise pour passer



Figure 4A - Prise de changement de tension réglée pour le courant de 230 volts



Figure 4B - Prise de changement de tension réglée pour le courant de 115 volts

du courant de 230 volts (réglage de l'usine) au courant de 115 volts.

1. Dans le cas d'un moteur fonctionnant sur le courant de 230 volts, s'assurer que la prise est réglée sur 230 volts. La flèche de la prise sera alors orientée vers la position 230 volts. Il est à noter que dans cette position, la prise ne se branche qu'avec une broche.
2. Si le courant d'alimentation est de 115 volts, tirer sur la prise bien droit vers le haut, puis la replacer sur les deux broches en laiton, comme il est illustré.

REMARQUE : Pour mieux la voir, la flèche est mise en évidence.



Pour câbler un moteur à deux vitesses
Câbler la pompe comme l'indique le schéma.

FONCTIONNEMENT

NOTA : NE JAMAIS faire fonctionner la pompe à sec!
Le fonctionnement à sec de la pompe risque d'endommager les joints et les bagues d'étanchéité, causer des fuites et une inondation! Avant de démarrer le moteur, remplir la cuve de la crépine de la pompe d'eau.

⚠ Ne pas obstruer l'aspiration de la pompe!
Obstruer cette aspiration avec le corps risque de causer des blessures graves, voire mortelles.
Les petits enfants qui utilisent la piscine doivent TOUJOURS être sous la surveillance attentive d'un adulte!

Pour amorcer la pompe

Chasser tout l'air pouvant être emprisonné dans le filtre et dans les tuyauteries : se reporter à la Notice d'utilisation du filtre.

Dans le cas d'un système à aspiration noyée (la source d'eau est plus haute que la pompe), la pompe s'amorcera d'elle-même lorsque les robinets-vannes des tuyauteries d'aspiration et de retour seront ouverts.

Entreposage et préparation pour l'hiver :

NOTA : Si la pompe gèle, elle sera endommagée et la garantie sera annulée!

NOTA : Ne pas utiliser de solutions antigel (à l'exception de propylène-glycol) dans la piscine ou dans la cuve à remous. Le propylène-glycol est un produit non toxique qui n'endommagera pas les éléments en plastique du système. Les autres antigels sont extrêmement toxiques et risquent d'endommager les éléments en plastique du système.

TABLEAU I - INFORMATIONS CONCERNANT LE CÂBLAGE ET LES FUSIBLES RECOMMANDÉS

NOTA : Les pompes de la série 79214 ne fonctionnent que sur le courant de 60 Hz.

Puissance du mot. en CV	Capacité du fusible de dérivation (en ampères)*	Charge max. en ampères	Tension/ Hz/Phase	Service au moteur - Dist. en pi (m)		
				0-100 pi (0-30)	101-200 pi (30-60)	201-300 pi (60-90)
79214 Modèles:						
1	20/15	12.6/6.3	115/230/60/1	12(2)/14(2)	10(2)/14(2)	10(2)/14(2)

*Sur n'importe quel circuit de moteur, il est recommandé d'utiliser des fusibles temporisés plutôt que des fusibles standard.

Vidanger toute l'eau de la pompe et des tuyauteries lorsque l'on prévoit des températures de congélation ou si l'on entrepose la pompe pendant une longue période de temps (voir les instructions ci-dessous).

Garder le moteur au sec et le couvrir pendant l'entreposage.

Pour éviter tout problème de condensation et de corrosion, **ne pas** couvrir ni envelopper la pompe de plastique.

Dans le cas d'installations extérieures et non protégées :

1. Protéger tout le système avec une enceinte étanche.
2. Pour éviter tout dommage causé par la corrosion, prévoir une bonne ventilation; ne pas envelopper le système de plastique.
3. Pour protéger la pompe jusqu'à -46 °C (-50 °F), utiliser une solution faite de 40 % de propylène-glycol et de 60 % d'eau.

⚠ AVERTISSEMENT



Tension dangereuse. Risque de chocs électriques, de brûlures, voire de mort.

Interrompre le courant avant d'intervenir sur la pompe ou sur le moteur.

Vidange de la pompe

1. Abaisser le niveau de l'eau avec la pompe jusqu'à ce qu'il soit plus bas que toutes les admissions de la piscine.

⚠ Afin d'éviter tout risque de chocs électriques dangereux ou mortels, INTERROMPRE le courant parvenant au moteur avant de vidanger la pompe.

2. Après avoir abaissé le niveau d'eau, boucher les tuyauteries d'admission pour empêcher l'eau de pénétrer dans les tuyaux.

3. Pour empêcher la pompe de geler, vidanger le corps de la pompe à l'aide du raccord de vidange fourni.

4. S'assurer que le moteur est gardé sec et qu'il est couvert.

Remise en service de l'équipement après l'hiver

1. Déposer toutes les protections temporaires placées autour du système avant l'hiver.
2. Suivre les instructions du fabricant du filtre pour remettre le filtre en marche.
3. Inspecter tout le câblage électrique pour s'assurer qu'il n'a pas été endommagé ni détérioré pendant la période d'arrêt. Demander à un technicien qualifié de réparer ou de remplacer le câblage au besoin.
4. Inspecter et resserrer toutes les connexions étanches.
5. Ouvrir les robinets des tuyauteries d'aspiration et de retour.
6. Déposer tous les bouchons posés pour l'hiver sur les tuyauteries.

7. Vidanger les solutions antigel du système.
8. Fermer tous les robinets de vidange et reposer tous les bouchons de vidange sur le système à tuyauterie.
9. Amorcer la pompe conformément aux instructions figurant à la page 6.

ENTRETIEN DE LA POMPE

⚠ AVERTISSEMENT



Tension dangereuse. Risque de chocs électriques, de brûlures, voire de mort.

Interrompre le courant avant d'intervenir sur la pompe ou sur le moteur.

La pompe ne doit être entretenue que par du personnel qualifié. Ne pas oublier d'amorcer la pompe (voir la page 6) avant de la démarrer.

- 1. AVANT D'INTERVENIR SUR LA POMPE, L'ARRÊTER.**
- 2. FERMER LES ROBINETS-VANNES des tuyauteries d'aspiration et de retour.**
- 3. DISSIPER TOUTE LA PRESSION dans la pompe et dans les tuyauteries.**

⚠ Pour éviter tout risque de chocs électriques dangereux ou mortels, INTERROMPRE l'arrivée de courant parvenant au moteur avant d'intervenir sur la pompe ou sur le moteur!

Si la bague d'étanchéité de l'arbre est usée ou endommagée, la réparer en procédant comme suit :

Démontage de la pompe et dépose de l'ancienne bague d'étanchéité

Interrompre le courant parvenant au moteur de la pompe.

⚠ S'assurer que les robinets-vannes des tuyauteries d'aspiration et de retour sont fermés avant de procéder à l'intervention.

Dissiper toute la pression du système en ouvrant tous les événements avant de procéder à l'intervention.

1. Vider la pompe à l'aide du raccord de vidange qui se trouve à la partie inférieure du corps de la pompe.
2. Déposer les 6 écrous, rondelles-freins et rondelles plates qui retiennent la plaque d'étanchéité sur le corps de la pompe. Déposer la plaque d'étanchéité et le moteur du corps de la pompe. (Il faudra peut-être utiliser PRUDEMMENT un tournevis pour séparer le corps de la plaque d'étanchéité.)
3. Déposer les sept vis et rondelles de fixation du diffuseur sur la plaque d'étanchéité. Déposer le diffuseur.

4. Déposer le capot du moteur. Faire bien attention de ne pas toucher les bornes du condensateur, desserrer le collier du condensateur puis pousser le condensateur de côté.

5. Immobiliser l'arbre avec une clé à fourche de 7/16 de



Figure 5

pouce que l'on aura posée sur les méplats de l'arbre du moteur.

6. Dévisser l'impulseur de l'arbre (en le tournant à gauche lorsqu'on lui fait face). **NOTA** : Sur les modèles de 2 et 2,5 ch, déposer la vis de l'impulseur (filetage à gauche - tourner **à droite**) et le joint avant de déposer l'impulseur. Inspecter le joint à la recherche de dommages, de fissures, etc. Le remplacer s'il est endommagé.

7. Déposer les quatre vis de fixation de la plaque d'étanchéité sur le moteur.

8. Poser la plaque d'étanchéité à l'envers sur une surface plate et chasser le siège en céramique (voir la Figure 5).

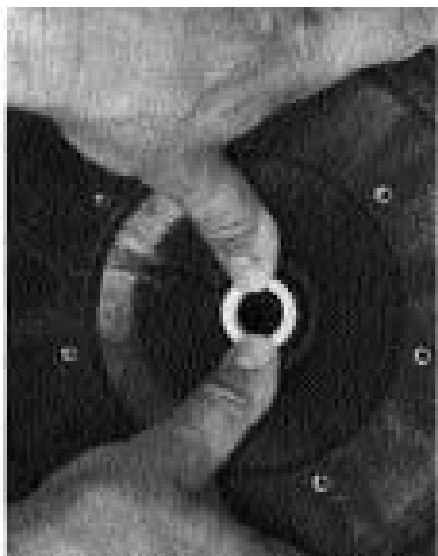


Figure 6

9. Déposer le déflecteur de l'arbre du moteur et l'inspecter à la recherche de dommages ou d'abrasions.

10. Nettoyer la cavité de la bague d'étanchéité pratiquée dans la plaque d'étanchéité et nettoyer l'arbre du moteur.

Remontage de la pompe et pose d'une bague d'étanchéité neuve

1. Le bague d'étanchéité en céramique doit être propre et débarrassé de toute la saleté, graisse et poussière, etc. Humecter le joint de la coupelle en caoutchouc du siège en céramique avec un peu de détergent liquide; enfoncer fermement le joint dans la cavité et bien le faire reposer avec la pression des doigts (voir la Figure 6).

2. Si le bague d'étanchéité en céramique ne se met pas bien en place, le déposer, l'orienter à **l'endroit** vers le haut sur l'établi et renettoyer la cavité. Il doit être maintenant possible de remettre le bague d'étanchéité en céramique en place.

3. Si le bague d'étanchéité ne veut toujours pas se mettre en place correctement, poser une rondelle en carton sur la surface polie et utiliser un morceau de tuyau de 19 mm (3/4 de pouce) pour pouvoir l'enfoncer. **NOTA** : **S'assurer** de ne pas rayer ni marquer la surface polie, sinon la bague d'étanchéité fuira.

4. Reposer le déflecteur sur l'extrémité de l'arbre du moteur de façon que le manchon de l'impulseur le pousse en position. Si le déflecteur montre des signes d'usure ou de dommages, le remplacer.

5. Reposer la plaque d'étanchéité sur le moteur et serrer les vis au couple de 69 à 92 kg/cm (60 à 80 lb-po).

6. Appliquer une **petite** quantité de détergent liquide sur le diamètre intérieur de la moitié rotative de la bague d'étanchéité.

7. Glisser la bague d'étanchéité rotative, en orientant le côté carbone poli vers l'extérieur, par-dessus le manchon de l'impulseur jusqu'à ce que la bague de pression en caoutchouc vienne en contact avec l'arrière de l'impulseur.

NOTA : S'assurer de ne pas entailler ni rayer la surface de la bague d'étanchéité polie, sinon la bague d'étanchéité polie fuira si elle a été endommagée.

8. Visser l'impulseur sur l'arbre (en le tournant à droite); ceci positionnera automatiquement la bague d'étanchéité dans la plaque d'étanchéité.

9. Glisser le diffuseur sur la plaque d'étanchéité et serrer les vis au couple de 11,2 à 16,1 kg/cm (10 à 14 lb/po).
10. Remonter le moteur et la plaque d'étanchéité sur le corps de la pompe à l'aide des écrous, des rondelles plates et des rondelles-freins et serrer les écrous au couple de 138 à 150 kg/cm (120 à 130 lb/po).
11. Amorcer la pompe conformément aux instructions indiquées à la page 6.

GUIDE DE DIAGNOSTIC DES PANNES

⚠ Avant de procéder à toute intervention sur cette pompe, bien lire et bien comprendre toutes les signes de sécurité et toutes les instructions de fonctionnement!

⚠ Seul du personnel qualifié doit procéder aux contrôles électriques du moteur de la pompe!

PANNES DE LA POMPE, CAPACITÉS OU PRESSIONS DE RETOUR RÉDUITES

Prise d'air dans les tuyauteries d'aspiration/perte d'amorçage :

1. S'assurer qu'il n'y a pas de prise d'air dans la tuyauterie d'aspiration.
2. S'assurer que l'admission d'eau du tuyau d'aspiration allant à la pompe se trouve bien au-dessous du niveau de l'eau pour que la pompe n'aspire pas d'air.
3. S'assurer que la pompe n'essaie pas d'élever l'eau.
4. S'assurer que le diamètre du tuyau d'aspiration soit d'au moins 51 mm (2 pouces).

Tuyau/impulseur bouchés, impulseur usé :

1. S'assurer que l'impulseur n'est pas bouché (suivre les opérations 1 à 7 sous «Dépose de l'ancienne bague d'étanchéité» à la page 7; rechercher ce qui pourrait boucher l'impulseur; suivre les opérations 7 à 11 sous «Pose d'une bague d'étanchéité neuve» à la page 8 pour le remontage).
2. L'impulseur et le diffuseur peuvent être usés. Dans ce cas, commander des pièces de rechange en se reportant à la liste des pièces de rechange à la page 10.



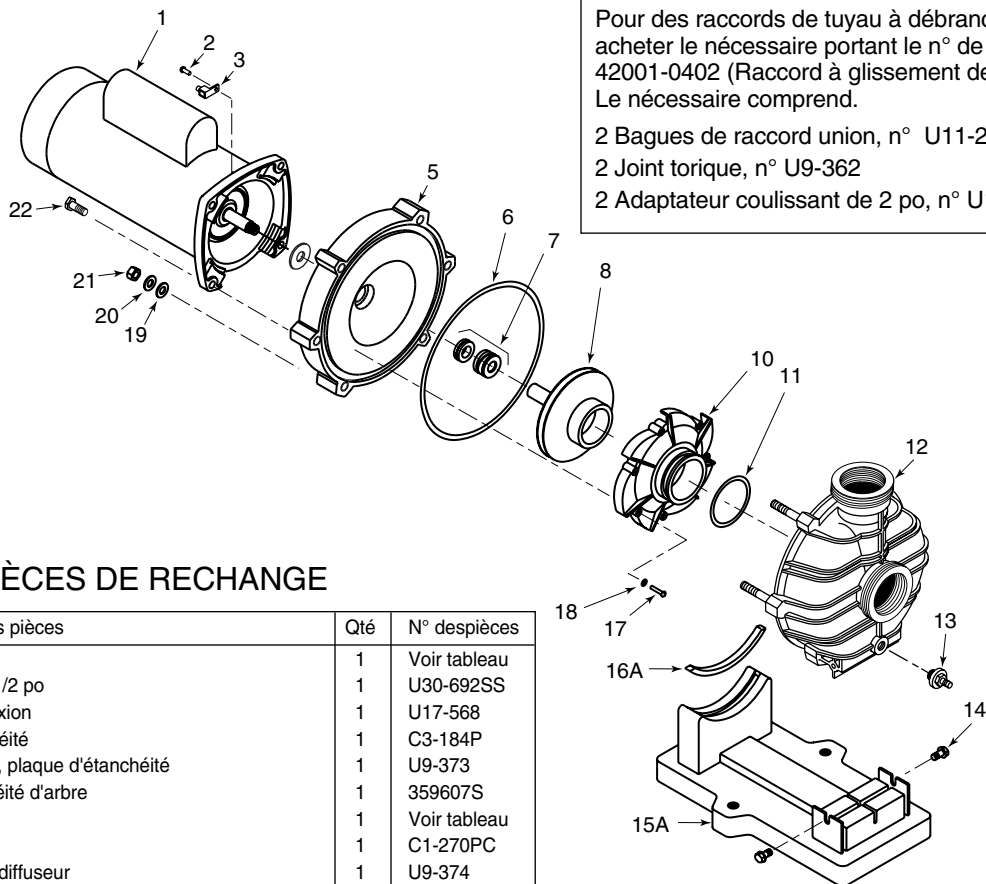
ÉLECTRICITÉ :

1. La pompe peut fonctionner trop lentement; vérifier la tension aux bornes du moteur et au compteur électrique pendant que la pompe fonctionne. Si la tension est basse, se reporter aux instructions de câblage ou consulter la compagnie d'électricité. S'assurer qu'il n'y a pas de connexions desserrées.

2. La pompe peut chauffer pendant qu'elle fonctionne.
 - A. Vérifier la tension secteur; si elle est inférieure à 90 % ou supérieure à 110 % de la tension nominale, consulter un électricien qualifié.
 - B. Augmenter la ventilation.
 - C. Abaisser la température ambiante.
 - D. Resserrer toutes les connexions desserrées.

BRUITS ET INCIDENTS MÉCANIQUES

1. Si les tuyauteries d'aspiration et de retour de la pompe ne sont pas bien supportées, la pompe sera soumise à des contraintes. Se reporter à «Installation» à la page 3.
2. La pompe ne doit pas être montée sur une assise en bois! Bien la fixer sur une assise en béton pour qu'elle ne vibre pas.



Pour des raccords de tuyau à débranchement rapide, acheter le nécessaire portant le n° de pièce 42001-0402 (Raccord à glissement de). Le nécessaire comprend.
 2 Bagues de raccord union, n° U11-200PS
 2 Joint torique, n° U9-362
 2 Adaptateur coulissant de 2 po, n° U11-196PS

LISTE DES PIÈCES DE RECHANGE

Réf.	Désignation des pièces	Qté	N° des pièces
1	Moteur	1	Voir tableau
2	Vis, n° 10-32 x 1/2 po	1	U30-692SS
3	Borne de connexion	1	U17-568
5	Plaque d'étanchéité	1	C3-184P
6	Bague en corde, plaque d'étanchéité	1	U9-373
7	Bague d'étanchéité d'arbre	1	359607S
8	Impulseur	1	Voir tableau
10	Diffuseur	1	C1-270PC
11	Joint torique de diffuseur	1	U9-374
12	Corps de la pompe (seulement)	1	17303-0001
13	Raccord de vidange	1	U178-920P
14	Vis Hi-Lo, 5/16-14 x 5/8 de po	2	U30-919SS
15A	Socle - Résistant à la corrosion	1	C4-77P
16A	Tampon de moteur pour socle résistant à la corrosion	1	C35-45
17	Vis à tête ronde, n° 8-32 x 7/8 de po	7	U30-542SS
18	Rondelle-frein, n° 8, denture ext.	7	U43-21SS
19	Rondelle plate, 3/8 de po	6	U43-62SS
20	Rondelle-frein, 3/8 de po	6	U43-12SS
21	Écrou à six pans, 3/8-16	6	071403
22	Vis à tête hexagonale, 3/8-16 x 1 po	4	U30-74SS
	• Plaque signalétique	1	32155-7117
	• Étiquette «AVERTISSEMENT/ATTENTION/Instructions...»	1	C63-12

Les pièces sont les mêmes sur tous les modèles à l'exception de ce qui suit :
 La réf. 1 : moteur et la réf. 8 : impulseur sont énumérées ci-dessous.

N° de modèle	Ch	N° de moteur (Réf. 1)	N° d'impulseur (Réf. 8)
79214	1	6203-2029	C105-236PBA

NOTA: Si la pompe est installé avec une passoire la passoire besoins à satisfaire aux exigences NSF 50. Cette pompe est conçu comme une pompe d'appoint et n'a pas une passoire.

• Non illustre.

Blank Page



359608 (Rev. A) 05-26-10