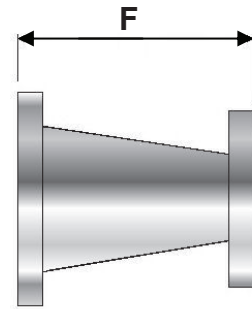


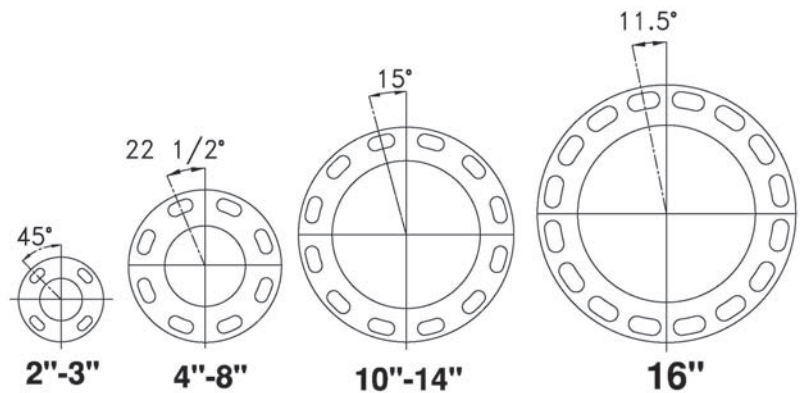
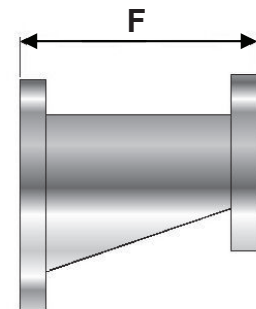
## CONCENTRIC REDUCERS

All dimensions are in inches		
Size	Part #	"F"
3 x 2	15003X2CNSPC	6
3 x 2 1/2	1503X25CNSPC	6
4 x 2	15004X2CNSPC	7
4 x 2 1/2	1504X25CNSPC	7
4 x 3	15004X3CNSPC	7
5 x 4	15005X4CNSPC	8
6 x 3	15006X3CNSPC	9
6 x 4	15006X4CNSPC	9
6 x 5	15006X5CNSPC	9
8 x 3	15008X3CNSPC	11
8 x 4	15008X4CNSPC	11
8 x 5	15008X5CNSPC	11
8 x 6	15008X6CNSPC	11
10 x 5	15010X5CNSPC	12
10 x 6	15010X6CNSPC	12
10 x 8	15010X8CNSPC	12
12 x 6	15012X6CNSPC	14
12 x 8	15012X8CNSPC	14
12 x 10	1512X10CNSPC	14
14 x 8	15014X8CNSPC	14
14 x 10	15014X10CNSPC	14



## ECCENTRIC REDUCERS

All dimensions are in inches		
Size	Part #	"F"
3 x 2	15003X2ECSPC	6
3 x 2 1/2	1503X25ECSPC	6
4 x 2	15004X2ECSPC	7
4 x 2 1/2	1504X25ECSPC	7
4 x 3	15004X3ECSPC	7
5 x 4	15005X4ECSPC	8
6 x 2	15006X2ECSPC	9
6 x 3	15006X3ECSPC	9
6 x 4	15006X4ECSPC	9
6 x 5	15006X5ECSPC	9
8 x 4	15008X4ECSPC	11
8 x 5	15008X5ECSPC	11
8 x 6	15008X6ECSPC	11
10 x 5	15010X5ECSPC	12
10 x 6	15010X6ECSPC	12
10 x 8	15010X8ECSPC	12
12 x 6	15012X6ECSPC	14
12 x 8	15012X8ECSPC	14
12 x 10	1512X10ECSPC	14
14 x 8	15014X8ECSPC	16
14 x 10	1514X10ECSPC	16
14 x 12	1514X12ECSPC	16
16 x 8	15016X8ECSPC	18
16 x 10	1516X10ECSPC	18
16 x 12	1516X12ECSPC	18



Flanges Meet Ansi Standard 125# Flange Drilling.  
 "F" dimension  $\pm 1/8"$ . Consult Neptune~Benson on specific fits.  
 Install eccentric reducers with flat up, as detailed.

Flange Orientation

## **STAINLESS STEEL FLANGED REDUCERS**

- A. Concentric/eccentric reducers shall be constructed of T304 stainless steel not less than 1/8" thickness.
- B. Each connection shall be constructed of T304 stainless steel welded flanges with slotted holes. Connections shall be ANSI standard dimension.
- C. Eccentric reducers shall include a 1/4" F.P.T. gauge connection.
- D. Exterior of reducer including flanges shall be coated with a 4-5 mils electrostatic applied powder coat finish including clear coat. Interior shall be standard stainless steel 2B finish.
- E. Reducers shall be designed for 100 psi operating pressure as manufactured by Neptune-Benson, Inc.