



60" Diameter End-Manway, Top Connection Filtration Systems

The 5S Series Systems are designed as an extension to the industry-leading **SS Series Filtration Systems**, with many of the same features including fully-assembled Schedule 80 Face Piping. However, this Series includes new innovations, including the only 8" Backwash Valve in the industry, and air valve actuation for the smoothest, quickest valve movement.

Standard systems accommodate flows from 135 to 3,000 GPM – custom systems accommodate unlimited flows.

All Stark SS & 5S Series vessels are corrosion-proof, filament-wound, composite vessels with end-manway – top connections for ease of assembly and service. Stark Diaphragm Valves and Controls are Standard; butterfly-valve options (including linked valves) are also available.

Multiple vessel sizes available:

36" Dia: 13.5 & 17.2 SF

42" Dia: 13.5, 20, & 27 SF

**60" Dia 5S Series:
30, 35, 40, 45 & 50 SF**

STARK® 5S Series™ Horizontal Sand Filtration Systems

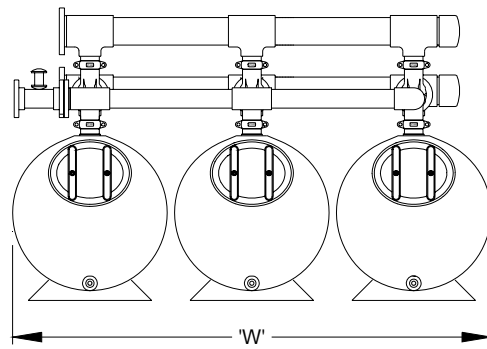
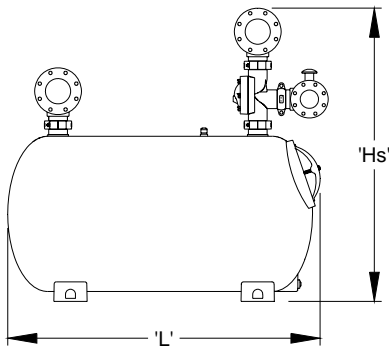


Feature Summary

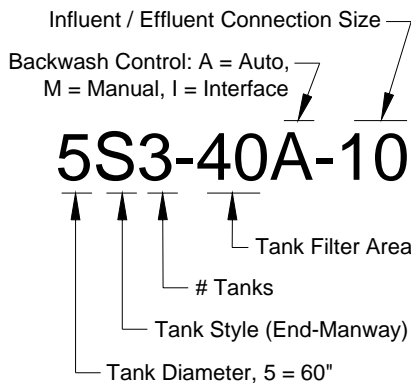
- All vessel models are NSF listed.
- **Manway cover has integral viewport for internal filter observation.**
- Solid composite construction – does not employ a bladder.
- Schedule 80 Face Piping is fully assembled.
- Vessels feature proprietary PARACOTE® All-Weather Exterior Coating with UV Inhibitors.
- Vessels greater than 40 SF utilize our unique 8" air-actuated backwash valve.
- Several backwash control options available.

Capacity Information

# Tanks	*System Number	Internal Tank Size	Filtration Area (Sq. Ft.)	Flow (GPM) 12 gpm/sf	Flow (GPM) 15 gpm/sf	Backwash Valve Size/Type	'W'	'L'	'Hs'	Total Media (cu ft)	Operating Weight (lbs.)	Shipping Weight (lbs.)
1	5S1-30-06	60" X 78"	30.0	360	450	6" Clear	62"	83"	106"	63.5	15,000	2,000
	5S1-35-06	60" X 90"	35.0	420	525	6" Clear	62"	95"	106"	74.3	17,000	2,300
	5S1-40-06	60" X 102"	40.0	480	600	6" Clear	62"	107"	106"	85.4	20,000	2,600
	5S1-45-08	60" X 114"	45.0	540	675	8" Gray	62"	119"	123"	96.4	23,000	2,900
	5S1-50-08	60" X 126"	50.0	600	750	8" Gray	62"	131"	123"	107.4	25,000	3,200
2	5S2-30-08	60" X 78"	60.0	720	900	6" Clear	128"	83"	111"	127.0	30,000	4,100
	5S2-35-08	60" X 90"	70.0	840	1,050	6" Clear	128"	95"	111"	148.6	35,000	4,600
	5S2-40-08	60" X 102"	80.0	960	1,200	6" Clear	128"	107"	111"	170.8	40,000	5,200
	5S2-45-08	60" X 114"	90.0	1,080	1,350	8" Gray	128"	119"	127"	192.8	45,000	5,700
	5S2-50-10	60" X 126"	100.0	1,200	1,500	8" Gray	128"	131"	133"	214.8	49,000	6,300
3	5S3-30-08	60" X 78"	90.0	1,080	1,350	6" Clear	194"	83"	111"	190.5	45,000	6,100
	5S3-35-10	60" X 90"	105.0	1,260	1,575	6" Clear	194"	95"	117"	222.9	53,000	6,900
	5S3-40-10	60" X 102"	120.0	1,200	1,800	6" Clear	194"	107"	117"	256.2	60,000	7,800
	5S3-45-10	60" X 114"	135.0	1,620	2,025	8" Gray	194"	119"	133"	289.2	68,000	8,600
	5S3-50-12	60" X 126"	150.0	1,800	2,250	8" Gray	194"	131"	135"	322.2	75,000	9,500
4	5S4-30-10	60" X 78"	120.0	1,440	1,800	6" Clear	260"	83"	117"	254.0	61,000	8,100
	5S4-35-10	60" X 90"	140.0	1,680	2,100	6" Clear	260"	95"	117"	297.2	70,000	9,200
	5S4-40-12	60" X 102"	160.0	1,920	2,400	6" Clear	260"	107"	119"	341.6	80,000	10,400
	5S4-45-12	60" X 114"	180.0	2,160	2,700	8" Gray	260"	119"	135"	385.6	92,000	11,500
	5S4-50-12	60" X 126"	200.0	2,400	3,000	8" Gray	260"	131"	135"	429.6	100,000	12,600



5S Series System Numbering



Notes:

- Standard header sizing shown is based on 10 fps max. at 15 gpm per sq. ft.
- For more dimensional detail, consult the appropriate Cut Sheet in our Design Manual.
- For special requirements including non-standard header sizes / locations and systems consisting of more vessels than shown, please contact our Applications Engineering.



(845) 463-7200
 Fax: (845) 463-7291
 www.paragonaquatics.com